

HEAVY-DUTY 2-POSTS

Expand your fleet service capabilities, avoid downtime and increase your bottom line with Challenger Lifts' 15,000 lb. and 18,000 lb. capacity 2-post lifts. Our Heavy-Duty Series lifts offer features such as low-profile 2-stage or 3-stage (15000-3S) arms, padded overhead cut-off bar, and standard adapter accessories. For higher-profile vehicles, column extensions are also available.



18000
18,000 LB. CAPACITY

» 2-stage front and
2-stage rear arms



15000-3S
15,000 LB. CAPACITY

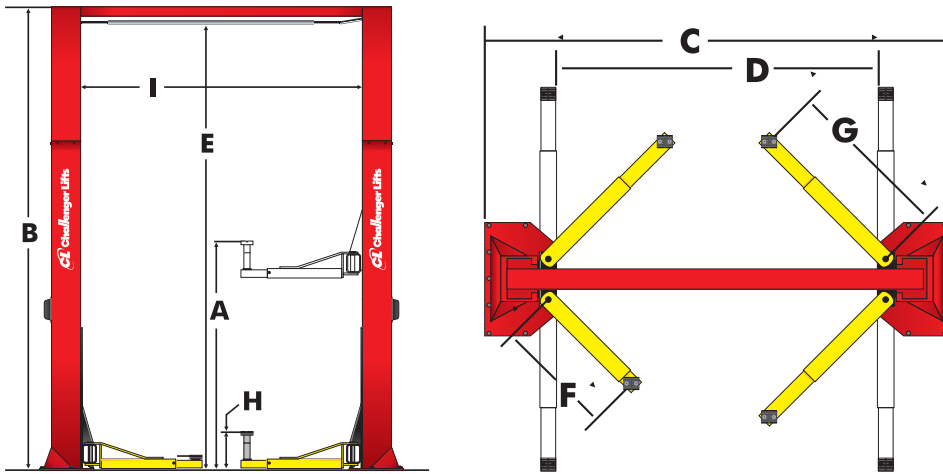
» 3-stage front and
3-stage rear arms



15000
15,000 LB. CAPACITY

» 2-stage front and
2-stage rear arms

CL Challenger Lifts



FEATURES & BENEFITS

- » 15,000 lb. or 18,000 lb. lift capacity
- » Heavy-duty 2-stage front and rear arms for symmetric truck lifting (15000 & 18000 models)
- » **Heavy-duty 3-stage front and rear arms with a low-profile adapter designed to service Euro-style cargo vans (15000-3S model)**
- » Single-point air actuated lock release allows the technician to disengage both columns simultaneously
- » Oversized 5" diameter steel pulley and heavy-duty 3/8" cable reduces stress on equalization system and increases cable life
- » 60" lifting carriage design increases lift life
- » Padded overhead shut off system prevents vehicle damage
- » Premium powder coat finish provides long-lasting durability
- » Plated arm pins inhibit rust and provide long-lasting durability
- » Heavy-duty rubber screw pads accommodate a wide range of recommended vehicle lifting points
- » Standard dual integrated rubber door guards help protect vehicle panels from inadvertent damage
- » Standard combination stack screw pads and storage brackets accommodate a wide range of vehicle pick up points

Model	15000-3S	15000	18000
Lifting Capacity	15,000 lbs.		18,000 lbs.
Lifting Configuration	Symmetric		
Arms	HD 3-stage front/rear	HD 2-stage front/rear	
A Rise Height	82"	85"	
B Overall Height	174"		
C Overall Width	154.75"		
D Drive-Thru Clearance	104.25"		
E Floor to Overhead Switch	167"		
F Arm Reach (Min.)	36.625"	38.5"	
G Arm Reach (Max.)	75"	62"	
H Screw Pad Height	5.5" - 10.875"	6.625" - 8.5"	
I Inside Columns	119.875"		
Air Supply Required	90-120 psi		
Motor / Voltage	2HP, 208v-230v, 60Hz, 1Ph		
Speed of Rise	77 s		
Ceiling Height Req.	14' 8"		
ALI/ETL Certified	√	√	√
2' Height Ext. Avail.	√	√	√
Colors Available			

*Rise height is measured with high extension. Medium and high auxiliary adapter extensions are standard. Optional 3-phase electrical also available.

For more information, contact your Authorized Challenger Lifts Distributor:

800-648-5438 | 502-625-0700 | Fax: 502-625-0711 | Email: sales@challengerlifts.com
2311 South Park Road | Louisville, KY 40219

